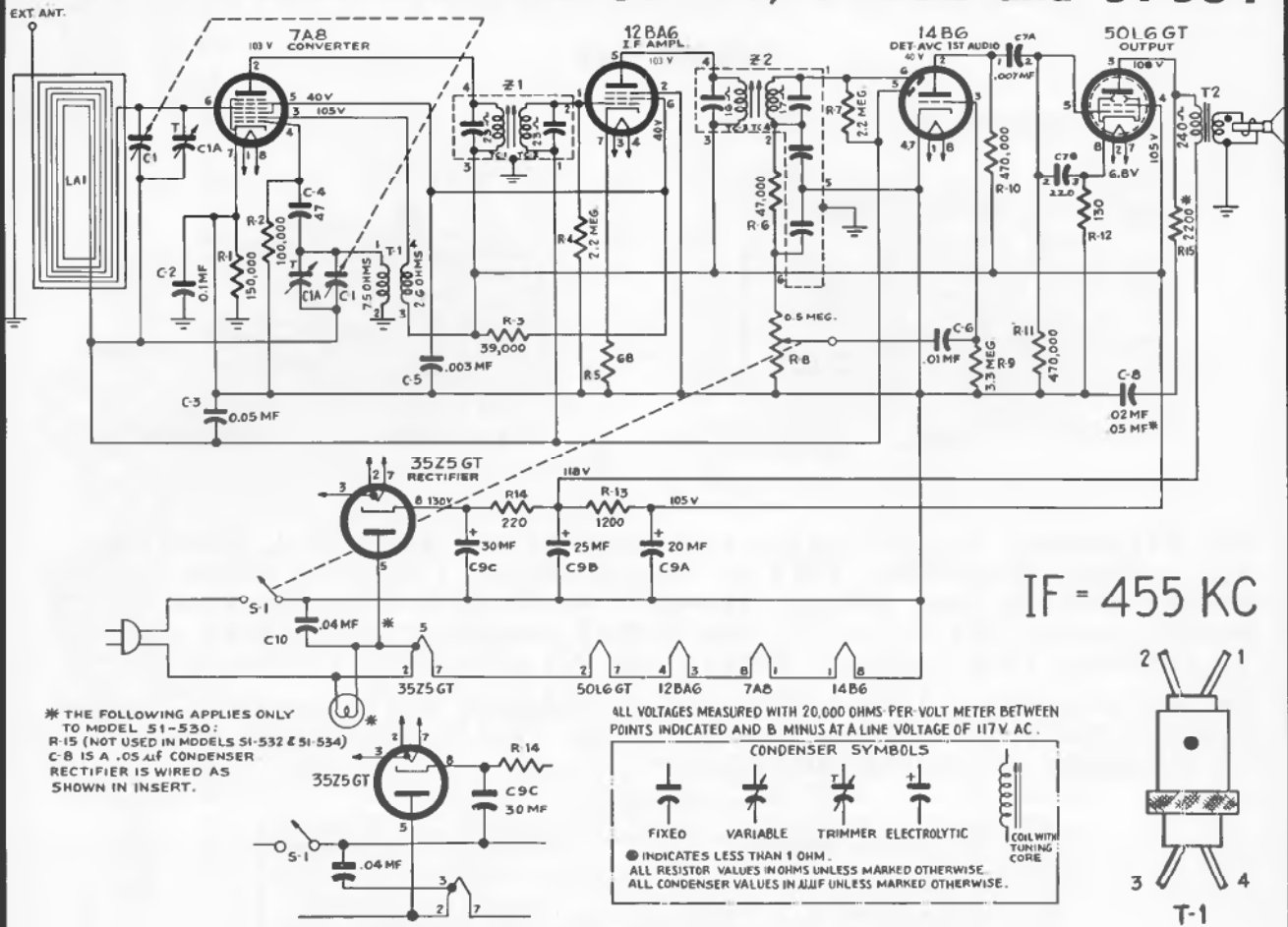
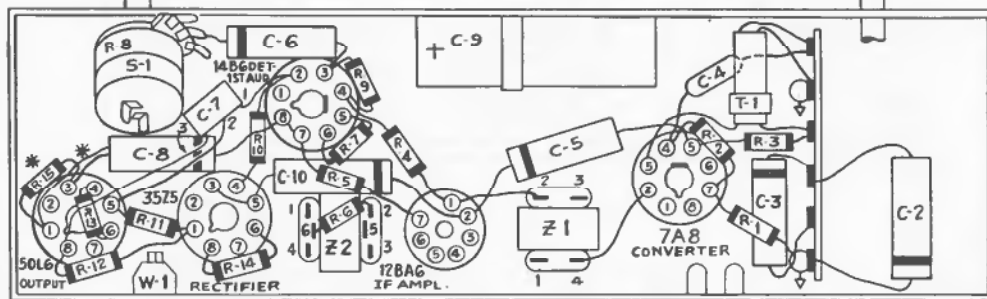


MANUAL OF 1951 MOST-OFTEN-NEEDED RADIO DIAGRAMS PHILCO RADIO MODELS 51-530, 51-532 and 51-534



Symbolized Chassis, Showing Parts Placement



- TC4—2nd i.f. sec.
- TC3—2nd i.f. pri.
- TC2—1st i.f. sec.
- TC1—1st i.f. pri.

C1B—osc.

C1A—aerial



NOTE: TC1 and TC3 are located on underside of chassis.

Top View, Showing Trimmer Locations

External Antenna Connection