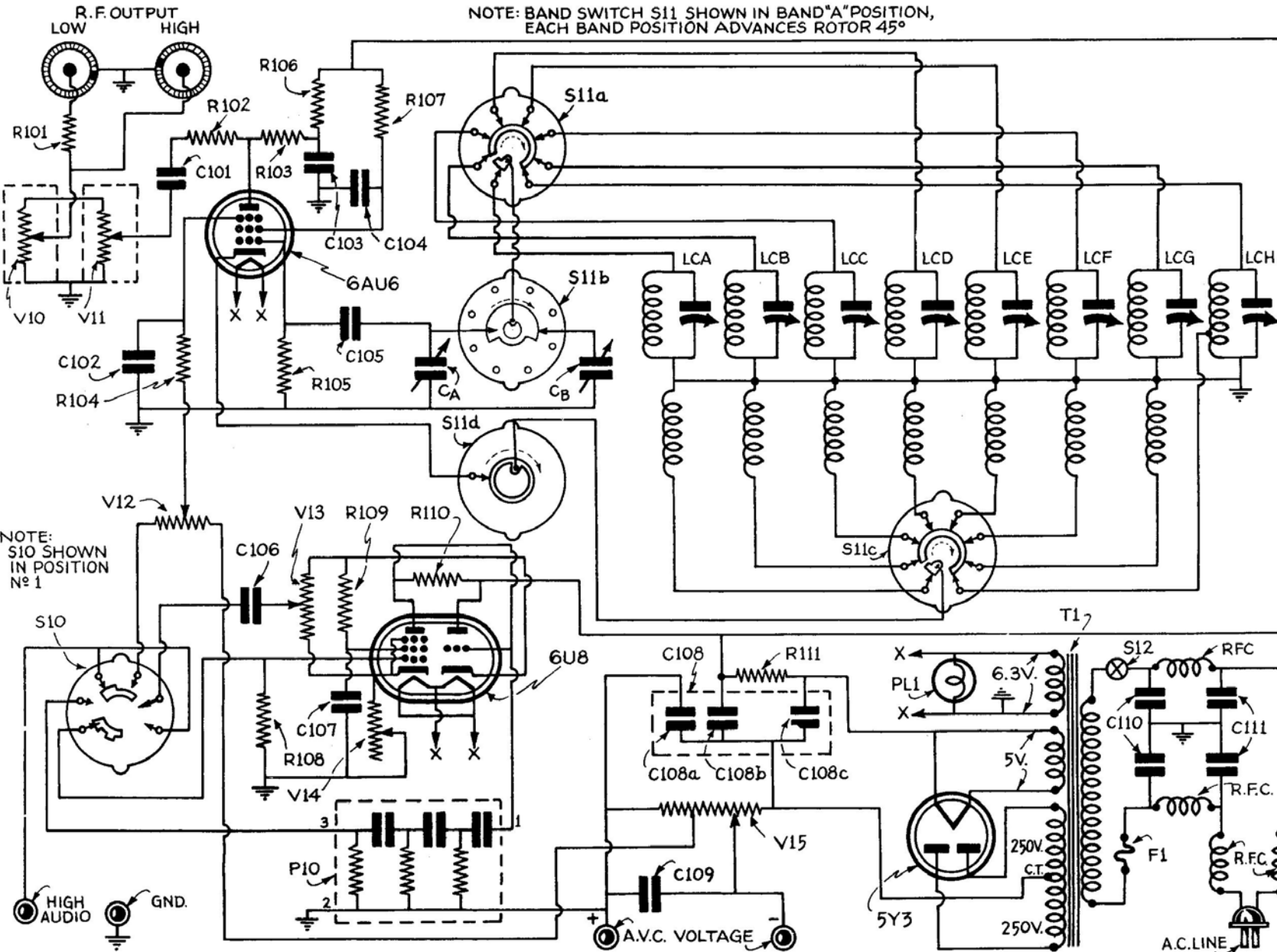


NOTE: BAND SWITCH S11 SHOWN IN BAND "A" POSITION,
EACH BAND POSITION ADVANCES ROTOR 45°



PART No	SPECIFICATION
R111	3000-Ω
R110	47K-Ω
R109	56K-Ω
R108	470K-Ω
R107	39K-Ω
R106	15K-Ω
R105	47K-Ω
R104	15K-Ω
R103	1000-Ω
R102	1000-Ω
R101	4000-Ω
C111	.00005 MFD.
C110	.01-MFD.
C109	.01-MFD.
C108	ELECTROLYTIC FILTER BLOCK C108a - 25 MFD, 75 W.V. C108b - 10 MFD, 450 W.V. C108c - 10 MFD, 450 W.V.
C107	.02-MFD.
C106	.01-MFD.
C105	.00005 MFD.
C104	.01-MFD.
C103	.01-MFD.
C102	.0002 MFD.
C101	.002-MFD.
CA-CB	DUAL SECTION TUNING CONDENSER CA-75MMFD. CB-300MMFD.
T1	POWER TRANSFORMER
S12	OFF-ON SW. GANGED WITH V15
S11	BAND SELECTOR SWITCH
S10	AUDIO SIGNAL SWITCH
R.F.C.	R.F. LINE CHOKES
PL1	6.3V.-PILOT LAMP
P10	PHASE SHIFT NETWORK
F1	1 AMP FUSE
V15	3000-Ω A.V.C. CONTROL
V14	1000-Ω CALIBRATED
V13	40K-Ω MODULATION CONTROL
V12	250K-Ω SEALED CALIBRATED
V11	200-Ω
V10	200-Ω
LCH	COIL & TRIMMER FOR BAND-H
LCG	COIL & TRIMMER FOR BAND-G
LCF	COIL & TRIMMER FOR BAND-F
LCE	COIL & TRIMMER FOR BAND-E
LCD	COIL & TRIMMER FOR BAND-D
LCC	COIL & TRIMMER FOR BAND-C
LCB	COIL & TRIMMER FOR BAND-B
LCA	COIL & TRIMMER FOR BAND-A
SERIES E-200 C	
TITLE: SIGNAL MARKING GENERATOR STARTING WITH SERIAL NO H58856	
DRAWN BY: Wm. Kadlcek Jr. DATE: 12-7-57	
CHECKED BY: J. Fuhrman DATE: 12-9-57	